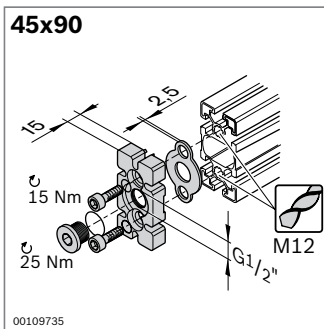



Flanged plate



- ▶ For sealing the ends of the hollow chambers. This enables the profiles to be used as a compressed-air lead
- ▶ For compressed-air intake or discharge when the screw plugs are replaced by pneumatic screw fittings
- ▶ Profile finishing: M12 thread cutting in the central holes
- ▶ For a maximum pressure (p_{\max}) of 8 bar

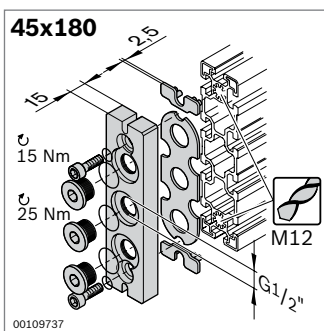


FS1


 DIN 7984
M12x30

Flanged plate	No.	FS
45x90	3 842 523 097	2xFS1

Material: Flanged plate: Die-cast aluminum
Seal: NBR
Fastening material: steel; galvanized
Scope of delivery: incl. fastening material (FS), screw plug, seals

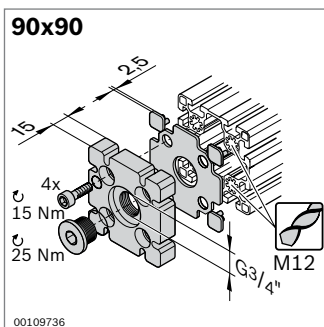


FS2

 DIN 7984
M12x20

Flanged plate	No.	FS
45x180	2 3 842 535 721	2xFS2

Material: Flanged plate: aluminum
Seal: NBR
Fastening material: steel; galvanized
Scope of delivery: incl. fastening material (FS), 2 x spacer,
3 x screw plug, seals



FS1

 DIN 7984
M12x30

Flanged plate	No.	FS
90x90	3 842 523 098	4xFS1

Material: Flanged plate: Die-cast aluminum
Seal: NBR
Fastening material: steel; galvanized
Scope of delivery: incl. fastening material (FS), 4 x spacer,
screw plug, seals

Note: Only suitable for light profiles 90x90L and 90x180L.